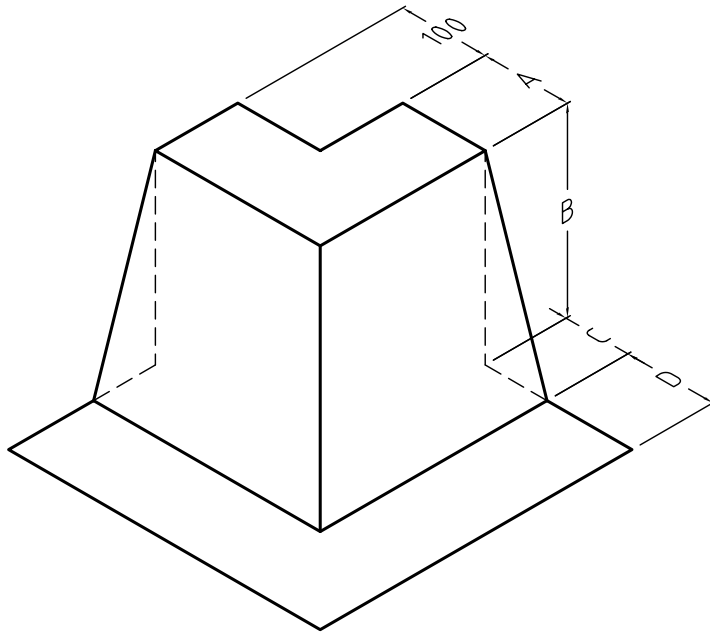
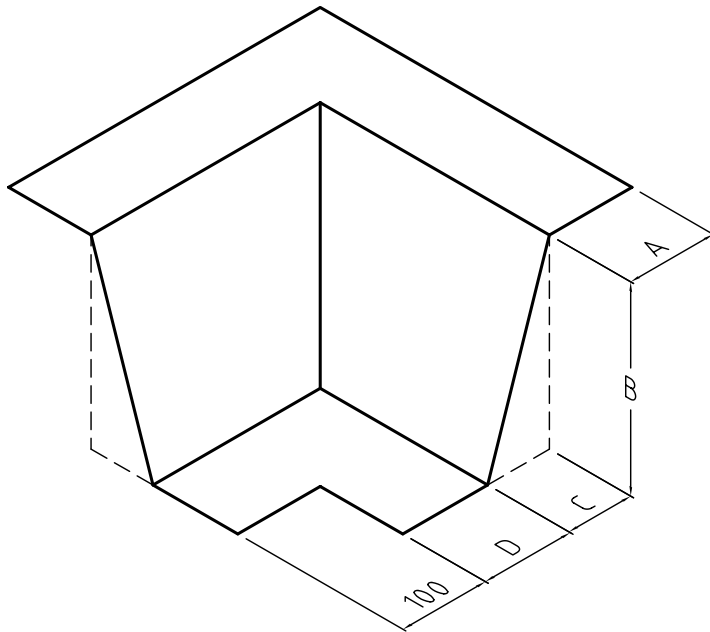


Detail Issued For Guidance Only,  
Designer's Approval Required



External Corner Cloak :	
A (Inner)	
B (Rise)	
C (Cavity)	
D (Outer)	
Angle	
Quantity	



Internal Corner Cloak :	
A (Inner)	
B (Rise)	
C (Cavity)	
D (Outer)	
Angle	
Quantity	

ZEDEX	
GX	

NB; DO NOT SCALE - USE FIGURED DIMENSIONS ONLY.



Visqueen Building Products  
 Contact Technical Support :  
 † : 0333 202 6800  
 ‡ : 0333 202 6886  
 e : enquiries@visqueenbuilding.co.uk  
 www.visqueenbuilding.co.uk

Project: Standard Detail : Preformed Corner Cloaks.

Drawing No.- PFU-109.	Date.- 03/08.	Scale.- NTS.	© COPYRIGHT RESERVED.
-----------------------	---------------	--------------	-----------------------